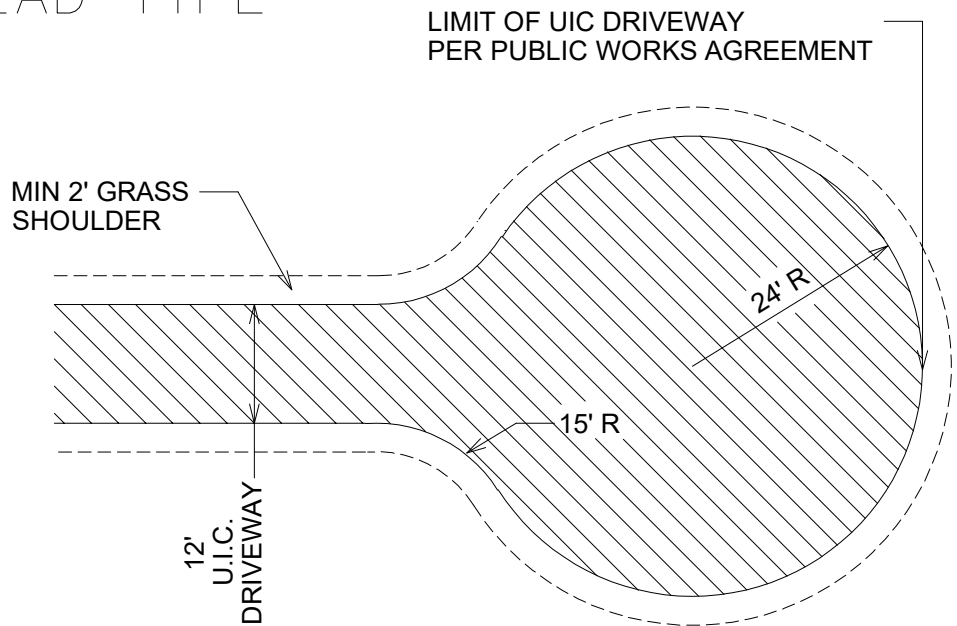


## HAMMERHEAD TYPE



## CUL-DE-SAC TYPE

### NOTES:

1. PREFERRED CROSS SLOPE OF PAVEMENT IS 2%; SHALL NOT EXCEED 4% CROSS SLOPE.
2. TERMINUS DESIGN MAY BE USED IN LIEU OF A TURN AROUND.

CARROLL COUNTY, MARYLAND DEPARTMENT OF PLANNING AND LAND MANAGEMENT	USE IN COMMON DRIVEWAY TERMINUS DESIGN	PLATE NO.
		UIC 6
ISSUED:	REVISED:	
REVISED:	REVISED:	